



Reef Stainless Steel Channels

Proudly made in WA with over 40 years of manufacturing experience, our premium quality stainless steel channels offer practical and modern solutions for efficient water drainage. Made from 2mm thick marine-grade 316 stainless steel, our Reef Channels offer exceptional durability and come with a 10-year warranty, ensuring a barrier-free bathroom for years to come.

Reef Pressed Grate

The Original Reef series is available in standard sizes of 600, 800, 900, 1000, 1200, and 1800mm lengths. It is also customizable to different lengths to fit any job. This stands apart from other channels by eliminating the need for concrete chipping during installation.

With a low 19mm profile, the tray can often be seamlessly integrated into the mortar bed. Our unique punching process during manufacturing ensures the cut edges are forced downward, resulting in a smooth finish that's gentle on the toes.

Premium Laser Patterns

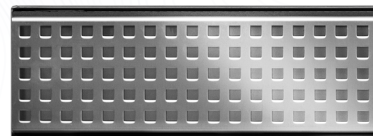
Our channels feature laser-cut patterns to be able to bring intricate patterns to life whilst upholding the integrity and quality for long lasting usage. These are designed not only for style but also for comfort. Despite their precise cuts, the edges are smooth and soft on the feet, ensuring a comfortable experience without sacrificing durability or safety.

Want a personalised pattern? Send us a sketch for a quote today.

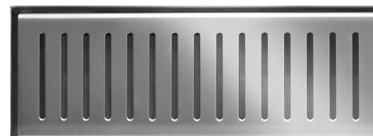
JURIEN



GEOGRAPHE



KALBARRI



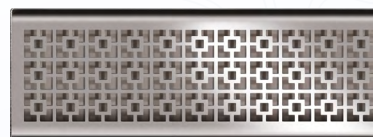
AERO



SURF



CUBE

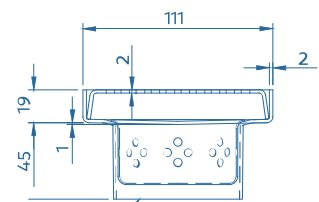
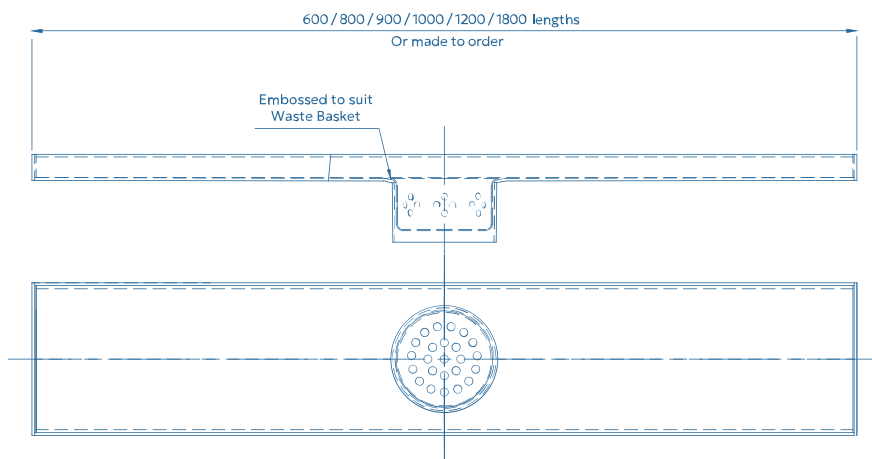
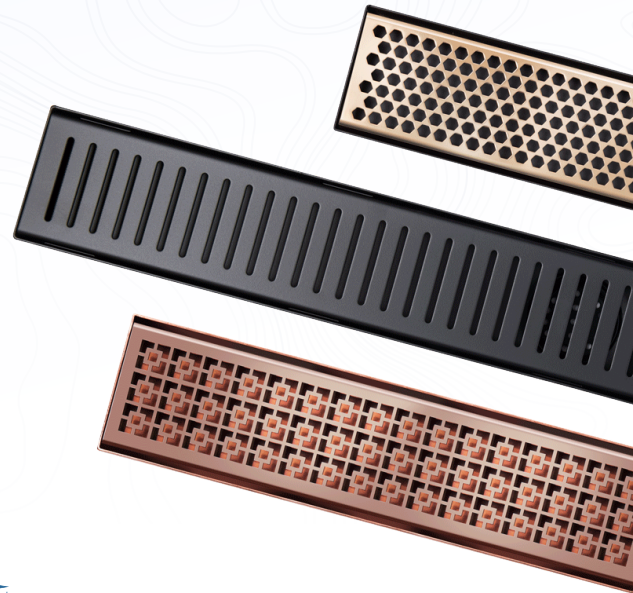


Marine Grade 316 Stainless Steel



Our standard sized channels come in a range of sizes from 600mm to 1800mm. Custom lengths are available in smaller or larger sizes, request a quote to learn more.

With a sleek, low-profile design of just 19mm, the channels are ideal for easy integration into various bathroom layouts. All Reef channels with 75.1mm outlets come equipped with a convenient, easy-to-clean strainer basket to help prevent clogs and maintain optimal performance. Outlets also come in 50.8mm outlets.



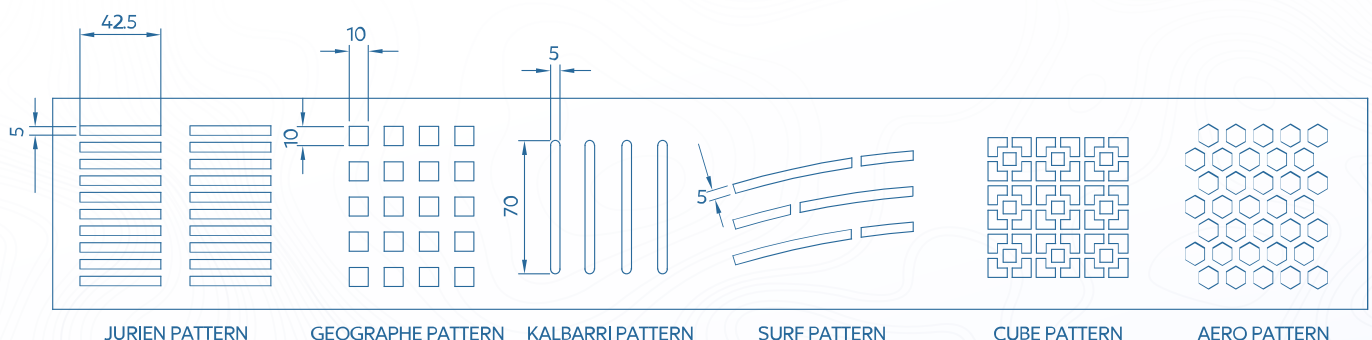
50.8dia x 1.6mm
or 75.1dia x 1.6mm

Every model comes standard with easy clean strainer basket wastes.

Our unique designs offer a blend of artistry and functionality. Whether laser-cut for crisp, modern patterns or crafted using a downward folding process that creates smooth, rounded edges, each design is a testament to innovation. These distinctive features not only elevate the aesthetic of your bathroom but also ensure a comfortable, safe surface.

STANDARD RANGE CODES

JURIEN	GEOGRAPHE	KALBARRI	AERO	SURF	CUBE	REEF STAINLESS STEEL CHANNEL SIZES
7049.09	7205.09	7200.09				111mm x 600mm W/ -80mm central outlet
7048.09	7209.09	7204.09				111mm x 800mm W/ -80mm central outlet
7050.09	7206.09	7201.09	7260.09	7225.09	7270.09	111mm x 900mm W/ -80mm central outlet
7051.09	7207.09	7202.09				111mm x 1000mm W/ -80mm central outlet
7052.09	7208.09	7203.09				111mm x 1200mm W/ -80mm central outlet
		7210.09				111mm x 1800mm W/ -80mm central outlet



Reef Tile & Stone Inserts

For a sleek, minimalist look in your shower, the Reef Leveque or Deep Reef Stone Insert channels are the perfect choice. Proudly made in Australia from 2mm marine-grade 316 stainless steel, they come with the assurance of a 10-year warranty for long-lasting durability.

Leveque

Ideal for use with larger tiles, the tray has a shallow depth of just 21.5mm, making installation simple and often eliminating the need for concrete chipping to accommodate the channel. Measuring 111mm wide and the standard range is available in lengths from 600mm to 1800mm, it features an 80mm central outlet and efficiently drains up to 113 litres of water per minute.

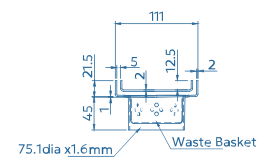
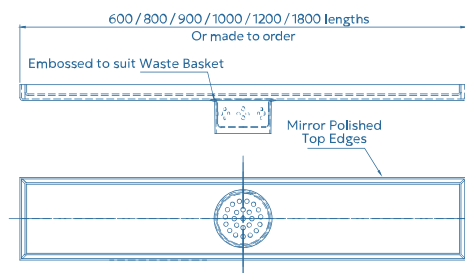
Contact us for a quote for custom lengths and outlet sizes.

LEVEQUE TILE INSERT



STANDARD RANGE CODES

REEF CODE	LEVEQUE TILE INSERT CHANNEL SIZES
7054.09	111mm x 600mm W/ -80mm central outlet
7053.09	111mm x 800mm W/ -80mm central outlet
7055.09	111mm x 900mm W/ -80mm central outlet
7057.09	111mm x 1000mm W/ -80mm central outlet
7056.09	111mm x 1200mm W/ -80mm central outlet
7235.09	111mm x 1800mm W/ -80mm central outlet



DEEP STONE INSERT

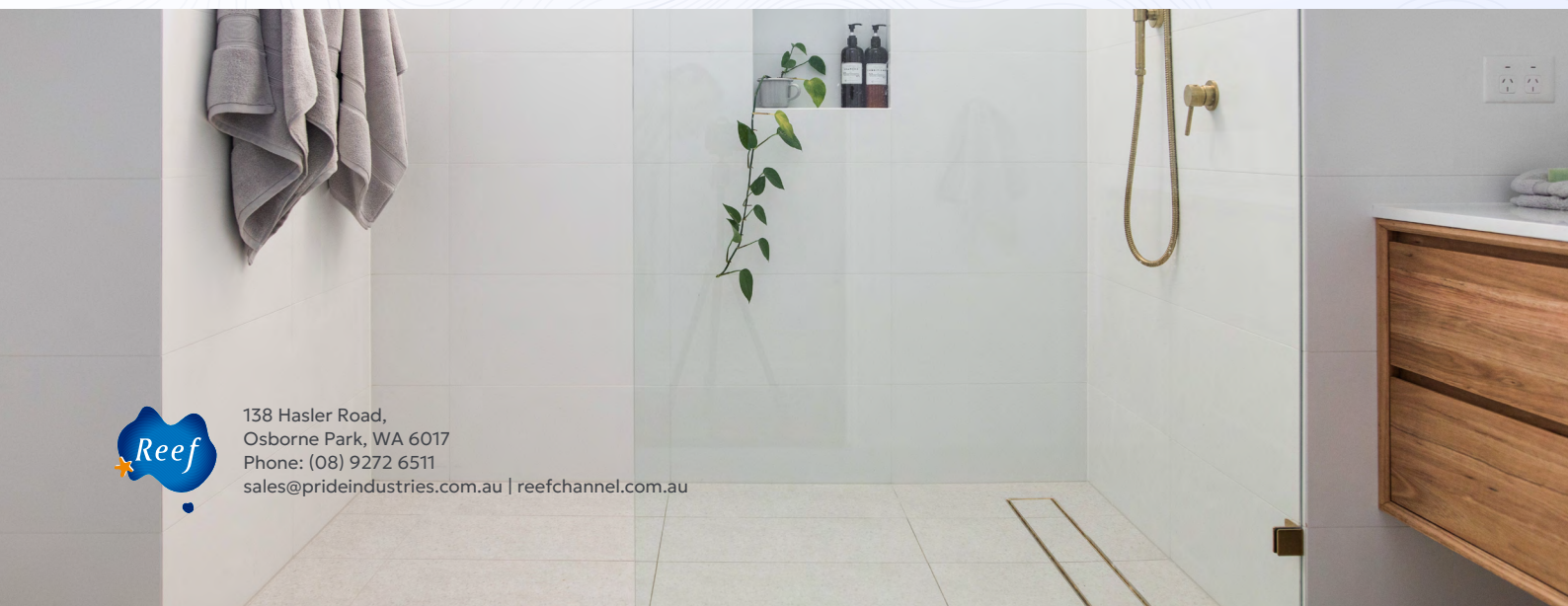
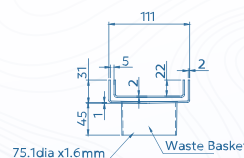
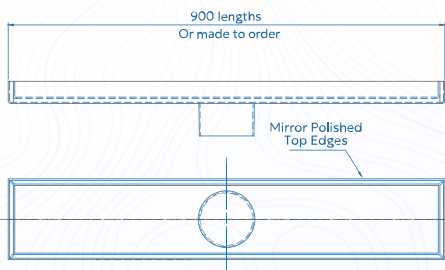


Deep Reef Stone Tile Insert

Designed for easy integration with natural stone or thick flooring materials, the insert tray accommodates up to 22mm of flooring material thickness. It provides a sleek, minimalist look that perfectly complements marble, granite, or other stone finishes.

STANDARD RANGE CODES

REEF CODE	LEVEQUE TILE INSERT CHANNEL SIZES
7212.09	111mm x 900mm x 31mm deep 80mm central outlet



138 Hasler Road,
Osborne Park, WA 6017
Phone: (08) 9272 6511
sales@prideindustries.com.au | reefchannel.com.au